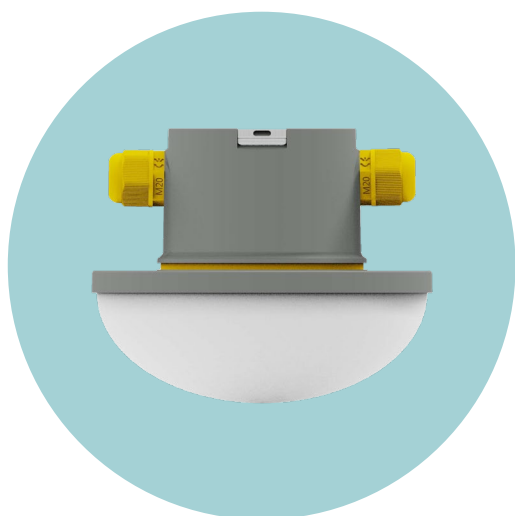


CORAX

The CORAX: as confirmed by many users worldwide, the CORAX is the standard for today's poultry lighting applications. It is a main lighting solution that can be applied in almost every type of poultry house.



Specifications

Operating voltage:	48VDC
Dimmer type:	HATO 48VDC power supply
Dim range:	0 - 100%
Light source:	LED
Flicker-free:	yes
Expected average lifetime white LEDs:	50,000h
Operating temp.:	-10°C (14°F) < Ta < +40°C (104°F)
Nett weight:	375 gr / 0.83 lbs
Cover:	Impact resistant PMMA
Base:	ABS
Warranty:	3 Years
Application:	Poultry

Type	Power Consumption	Light output	Efficacy	Light colour (CCT)	CRI	Energy Class	Made in
CORAX	8.7W	1050lm	121lm/W	3000K	> 80		China / NL***
CORAX CW	8.7W	1110lm	128lm/W	4500K	> 80		China****
CORAX DDS*	warm white: 9.7W** cold white: 9.7W**	warm white: 1050lm cold white: 1110lm	warm white: 108lm/W cold white: 114lm/W	warm white: 2500K cold white: 6700K	> 80		China****
CORAX XL	15.4W	1750lm	112lm/W	3000K	> 80		China / NL***

* Limit power to max 15W when mixing colours

** Includes UV-A LED

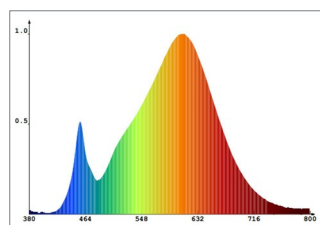
*** The corresponding documents CVO and EUR1 are available on request

****Made in NL also available on request.

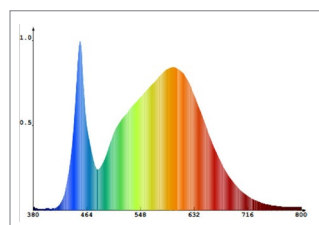
Colour options	Power consumption	Light output	Efficacy	Dominant wave-length
Blue	3W	40lm	13.3lm/W	463nm
	6W	80lm		
Red	3W	163.5lm	54.5lm/W	620nm
	6W	327lm		

Spectrum

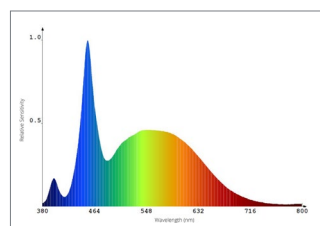
Measured with the HATO ONE spectrum meter



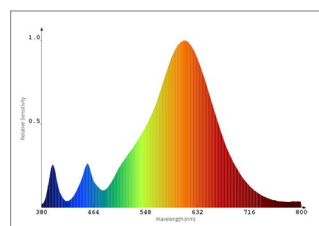
CORAX



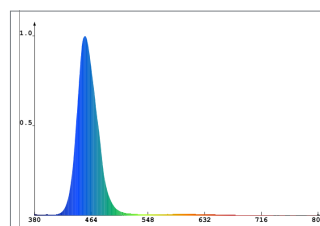
CORAX - coldwhite



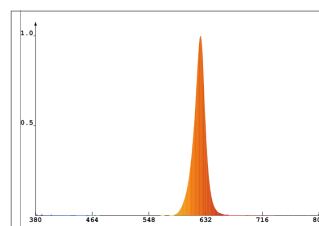
CORAX DDS - coldwhite



CORAX DDS - warmwhite

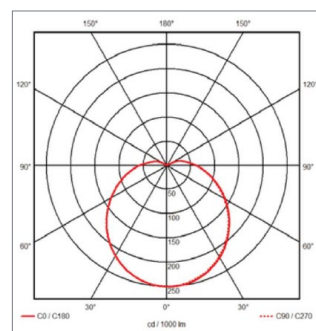


Blue



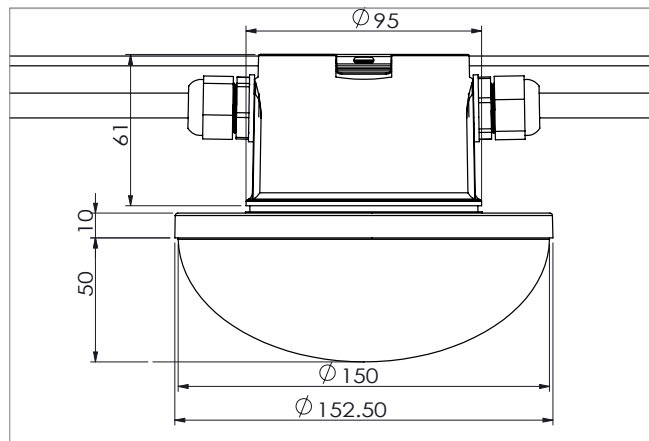
Red

Light spread



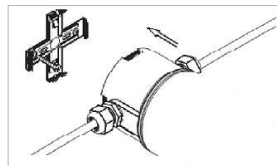
CORAX

Dimensions

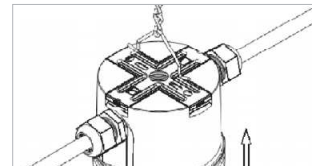


Accessories incl.

Clip + triangle for pendant mounting:
Maximum diameter of steel cable is 3.5 mm / 0.14 inch



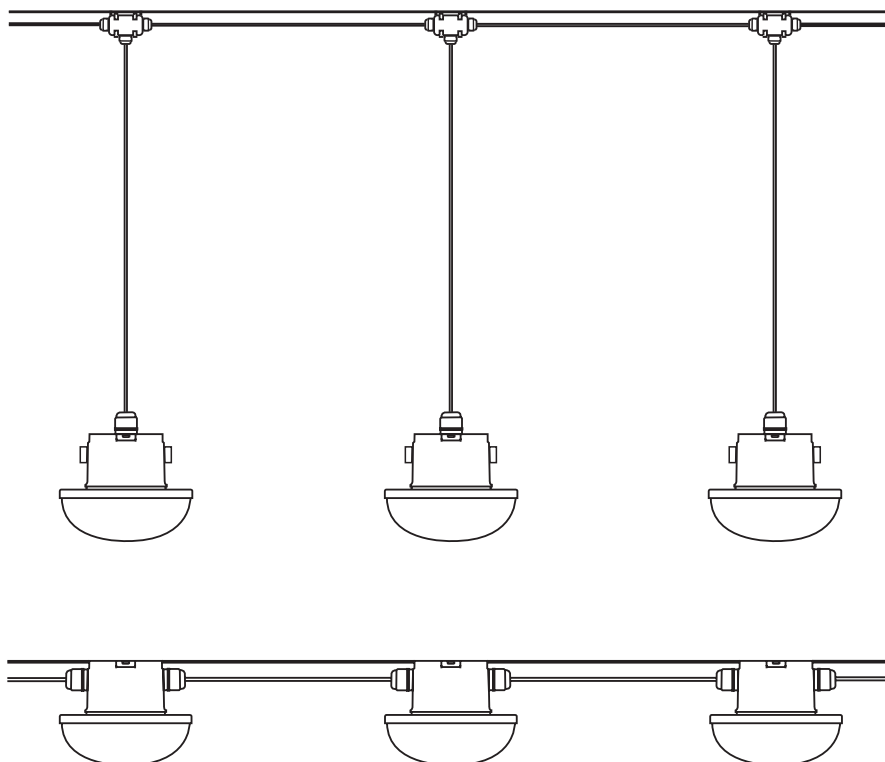
Pendant mounting



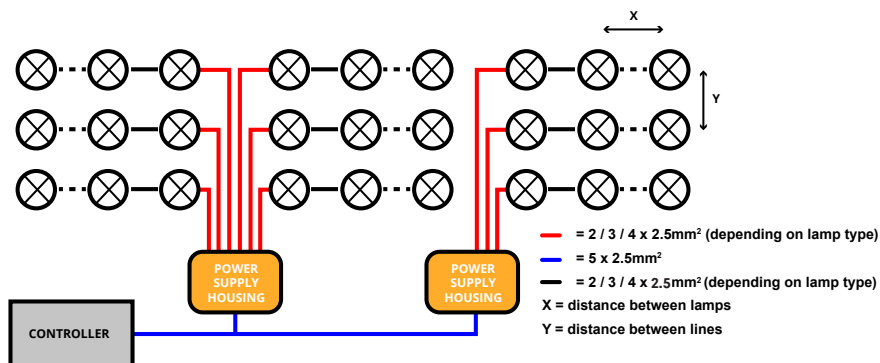
Cable mounting

Pre-wire (2.5 mm²)

Pre-wiring is possible for CORAX installations. This means we connect all the cables exactly as defined in the light plan. The only thing you have to do is hang the lamps at the right place and connect them to the power supply. Scan QR code for more information.



Installation example



Installation according to IEC/CE with T3.15A fuse in HATO PACK

Maximum lamps in one line with 2x2.5mm² (14AWG) cable

Distance between lamps	CORAX-W8.7 CORAX-x-W8.7-y	CORAX-DDS	CORAX-XL CORAX-XL-x
3m / 9.8ft	19	17	10
3.5m / 11.5ft	19	17	10
4m / 13.1ft	20	17	10
4.5m / 14.8ft	20	18	11
5m / 16.4ft	19	18	11

Cable thickness	Max length connection cable
2x 2.5mm ² (14AWG)	22m / 71ft
2x4mm ² (12AWG)	35m / 113ft
4x 2.5mm ² (14AWG)	69m / 225ft

Installation according to UL/CSA with F1.6A fuse in HATO PACK

Maximum lamps in one line with 2x2.5mm² (14AWG) cable

Distance between lamps	CORAX-W8.7	CORAX-DDS	CORAX-XL
	CORAX-x-W8.7-y		CORAX-XL-x
3m / 9.8ft	9	8	5
3.5m / 11.5ft	9	8	5
4m / 13.1ft	9	8	5
4.5m / 14.8ft	9	8	5
5m / 16.4ft	9	8	5

Cable thickness	Max length connection cable
2x 2.5mm ² (14AWG)	43m / 139ft
2x4mm ² (12AWG)	68m / 222ft
4x 2.5mm ² (14AWG)	135m / 443ft

Markings



* Protection test against penetration of water IPX7
(protected against the effect of immersion between 15cm and 1m)

In case of discrepancy, the English version shall prevail